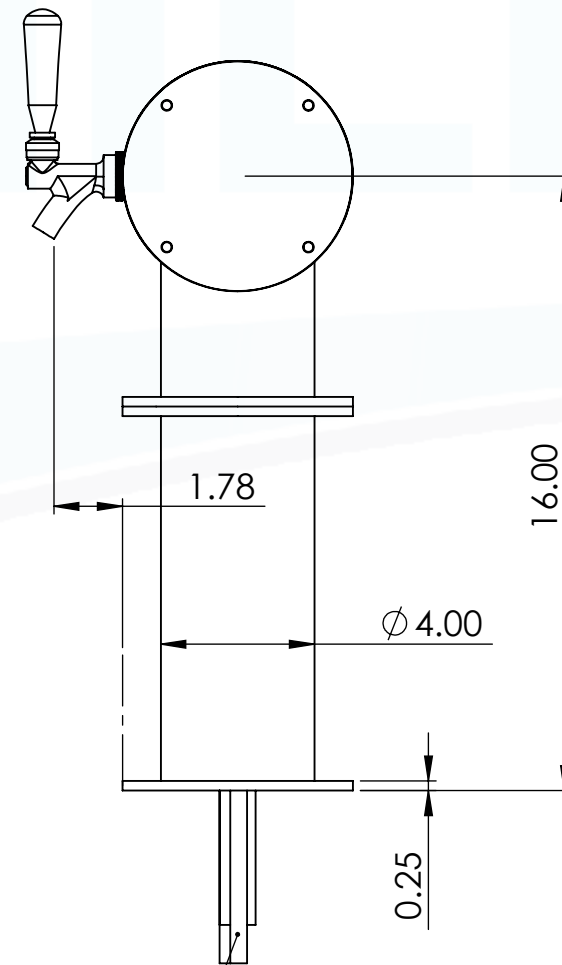
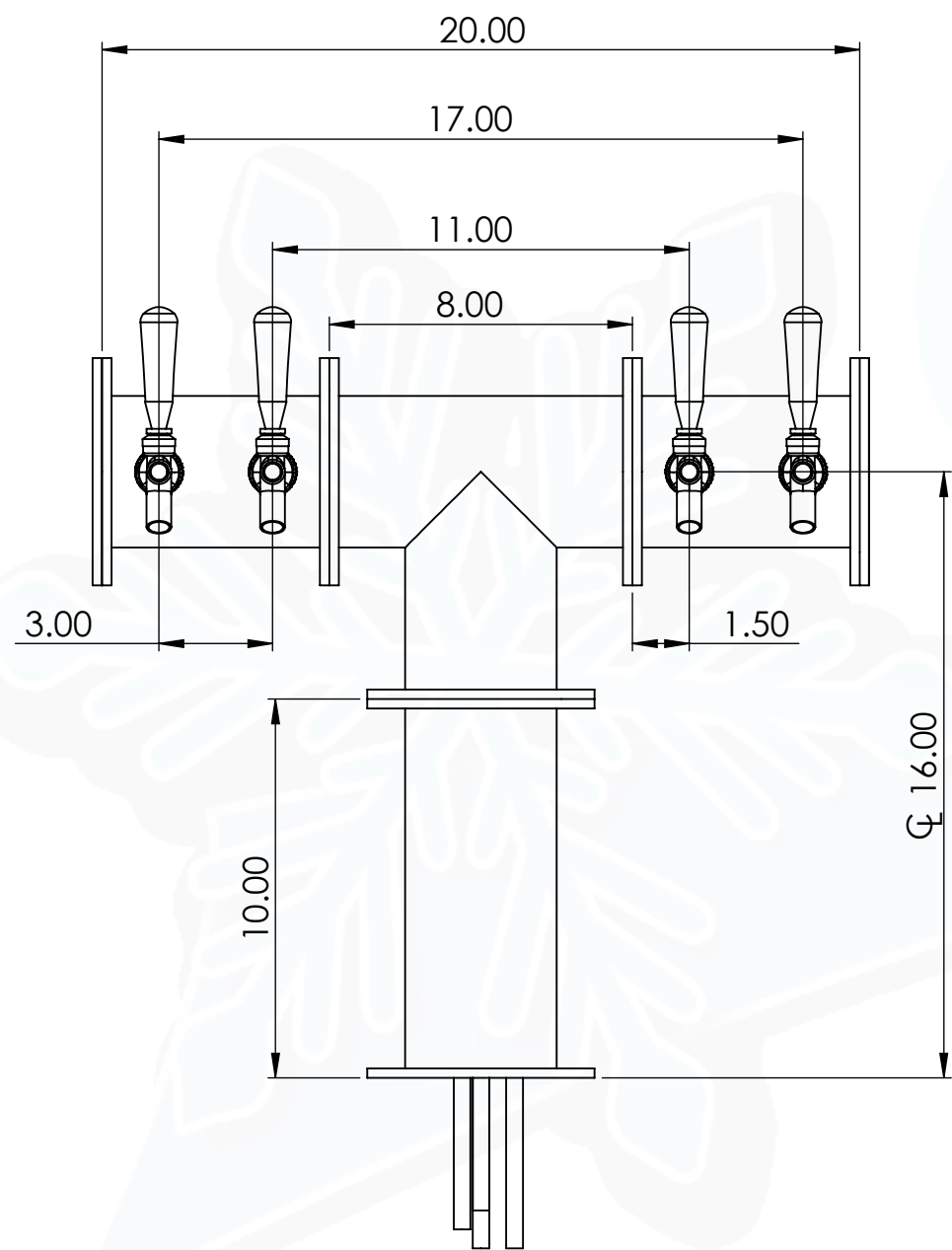
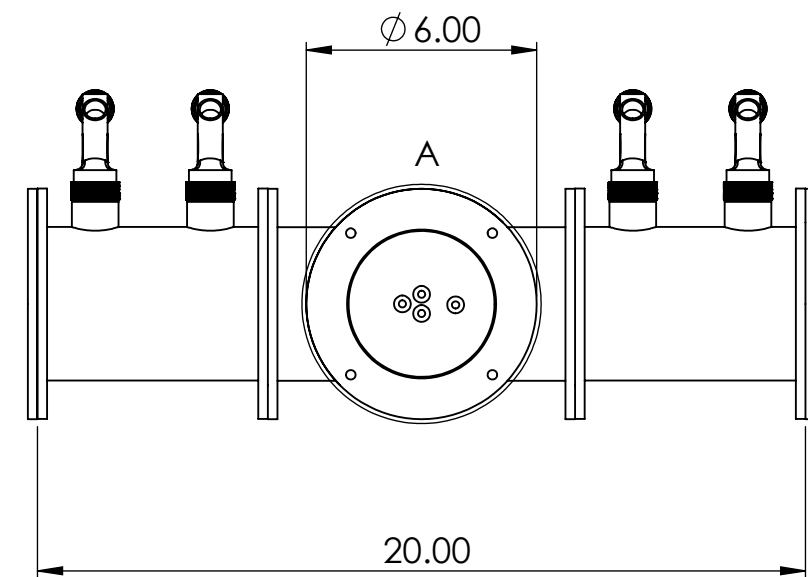
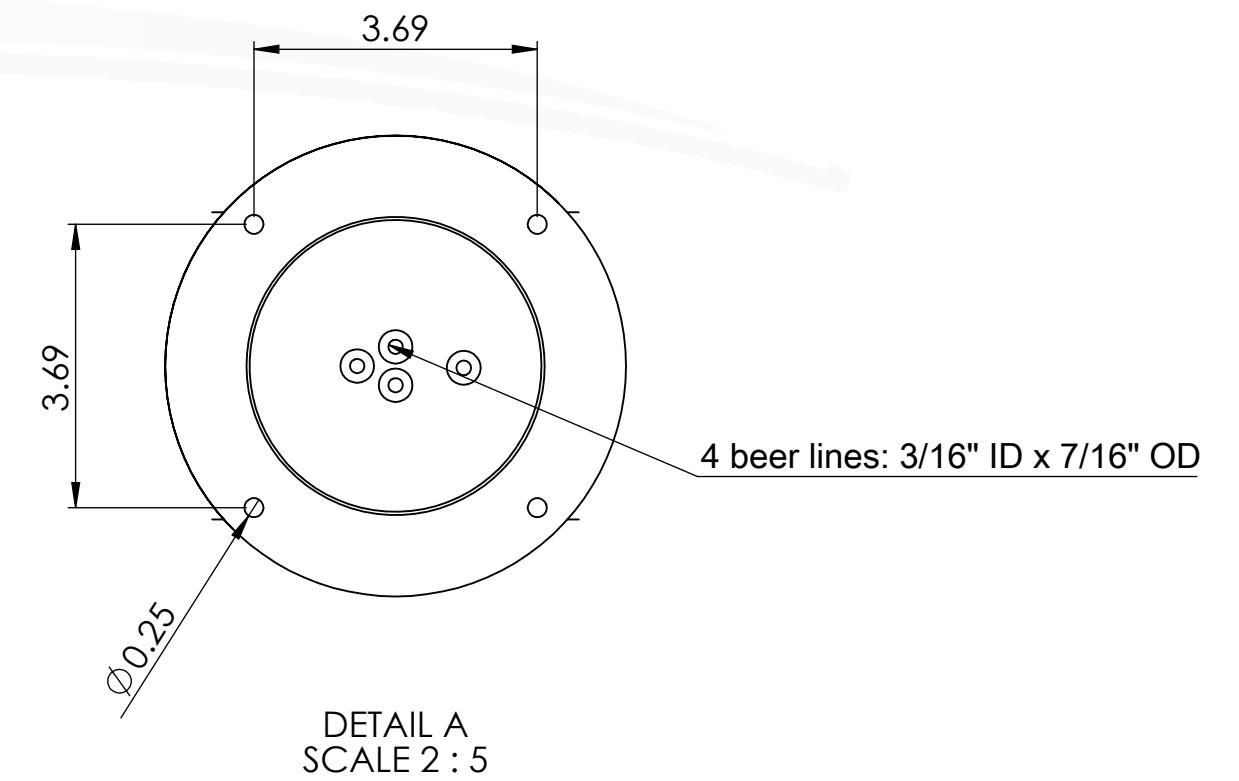


Isometric View  
(For reference purpose only)



304SS tube connected to CBS NSF Flexible  
Total Barrier Tubing to 15lbs of Restriction



Suggested Drip Tray:  
BB701320 - 20" x 7" BSS Drip Tray  
BB702420 - 20" x 7" BSS Spray Drip Tray



Drawn By:	Chillmax Beverages Solutions, LLC	Date:	11/7/2024	Title:	4 T (3"OC) BSS CONDOR TOWER CH-MX AIR		
Approved By:	Production Manager				Part Number:	BB101810-04AC	Revision:
Material:	304 SS	Finish:	Brushed SS	Scale:		1:5	
Unless otherwise mentioned, dimensions are inches							